



Swing bolt closure for quick and secure filter change

Accepts DOE and 222 style filters

Heavy duty 304 or 316 stainless steel for durability available

Legs are standard

HYDROSPHERE HMRH SERIES SS FILTER HOUSINGS

are ideal for most industrial/commercial applications. Our welded leg design as a standard (not "optional") feature, eliminates the added expense to your application. Commonly used for pre-filtration to reverse osmosis (RO) systems, farms, food service, car washes, agriculture and many other uses.

HYDROSPHERE HMRH SERIES SS FILTER HOUSINGS

use a high grade 304 stainless steel (as standard) not "L," which is a lower grade stainless steel other manufactures may use. Our housings easily accept Hydrosphere HDC, HWC, HCB, and HPC, Series cartridges. With our wide range of models, options, and filter cartridges, these units can easily meet most any requirement.

MJB 1/6/2017

WARNING: Do not use with water that is micro-biologically unsafe or of unknown quality without adequate disinfection before or after the system.



HMRH SERIES Stainless Steel Filter Housings

HYDROSPHERE TECHNOLOGIES, LLC™

Materials of Construction

Housing:	304 and 316 stainless steel
Closure:	Stainless Steel
O-Ring:	EPDM (FDA Grade)

Operating Data

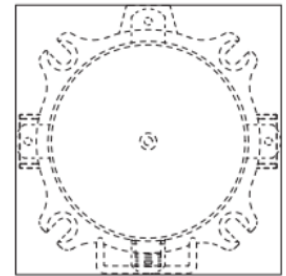
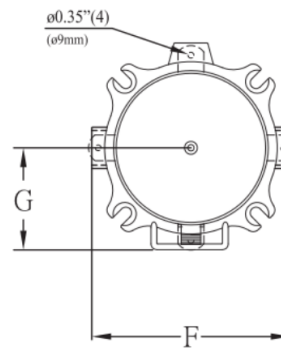
Max. Pressure/Temp:	150 PSI at 200°F (10.34 bar at 93.33°C)
---------------------	--

Standard Features

- Electropolished
- Legs
- Accepts DOE, 222/Flat or 222/Fin

Port Dimensions

Vent:	1/4" NPT
Inlet:	2" NPT
Outlet:	2" NPT
Drain:	3/4" NPT

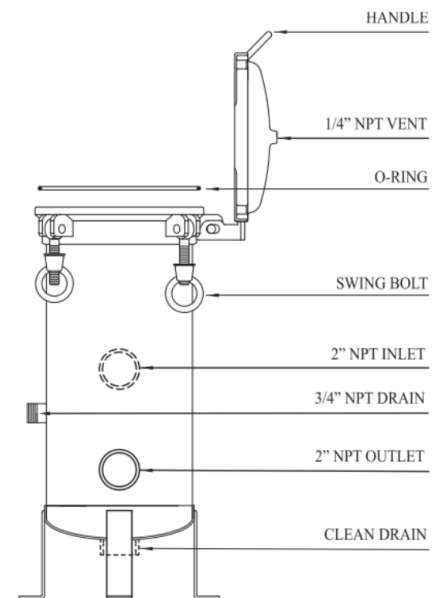


F
FOOT PRINT

HMRH SERIES SPECIFICATIONS

Part#	Description	Flow Rate	
		GPM	LPM
2-710-HMRH	SS304 Filter Housing 10", 7 Round, 150 PSI, 2"FNPT	35	132
2-720-HMRH	SS304 Filter Housing 20", 7 Round, 150 PSI, 2"FNPT	70	265
2-730-HMRH	SS304 Filter Housing 30", 7 Round, 150 PSI, 2"FNPT	105	397
2-740-HMRH	SS304 Filter Housing 40", 7 Round, 150 PSI, 2"FNPT	140	530
2-710-HMRHS	SS316 Filter Housing 10", 7 Round, 150 PSI, 2"FNPT	35	132
2-720-HMRHS	SS316 Filter Housing 20", 7 Round, 150 PSI, 2"FNPT	70	265
2-730-HMRHS	SS316 Filter Housing 30", 7 Round, 150 PSI, 2"FNPT	105	397
2-740-HMRHS	SS316 Filter Housing 40", 7 Round, 150 PSI, 2"FNPT	140	530

* 10", 20", 30", & 40" 8 to 173 Round 3" & 4" Flange available on special order.

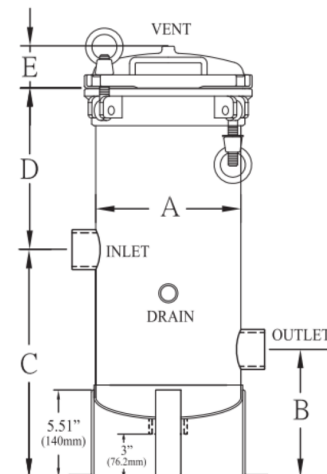


HMRH SERIES SPECIFICATIONS

Part Number	Description
ORING-7-HMRH	O-Ring for HMRH Units
SPRING-7-HMRH	Spring for HMRH Units
TOPPLATE-7-HMRH	Top Plate for HMRH Units

Filter Housing Dimensions

Model	A	B	C	D	E	F	G
	Body Width	Base to Outlet	Base to Inlet	Inlet to cover	Cover	Foot Print Width	Handle to Vent
710	9.13 in 232 mm	8.07 in 205 mm	14.37 in 365 mm	10.16 in 258 mm	2.56 in 65 mm	12.12 in 308 mm	5.5 in 140 mm
720	9.13 in 232 mm	8.07 in 205 mm	14.37 in 365 mm	20.19 in 513 mm	2.56 in 65 mm	12.12 in 308 mm	5.5 in 140 mm
730	9.13 in 232 mm	8.07 in 205 mm	14.37 in 365 mm	30.23 in 768 mm	2.56 in 65 mm	12.12 in 308 mm	5.5 in 140 mm
740	9.13 in 232 mm	8.07 in 205 mm	14.37 in 365 mm	40.27 in 1023 mm	2.56 in 65 mm	12.12 in 308 mm	5.5 in 140 mm



MJB 1/6/2017